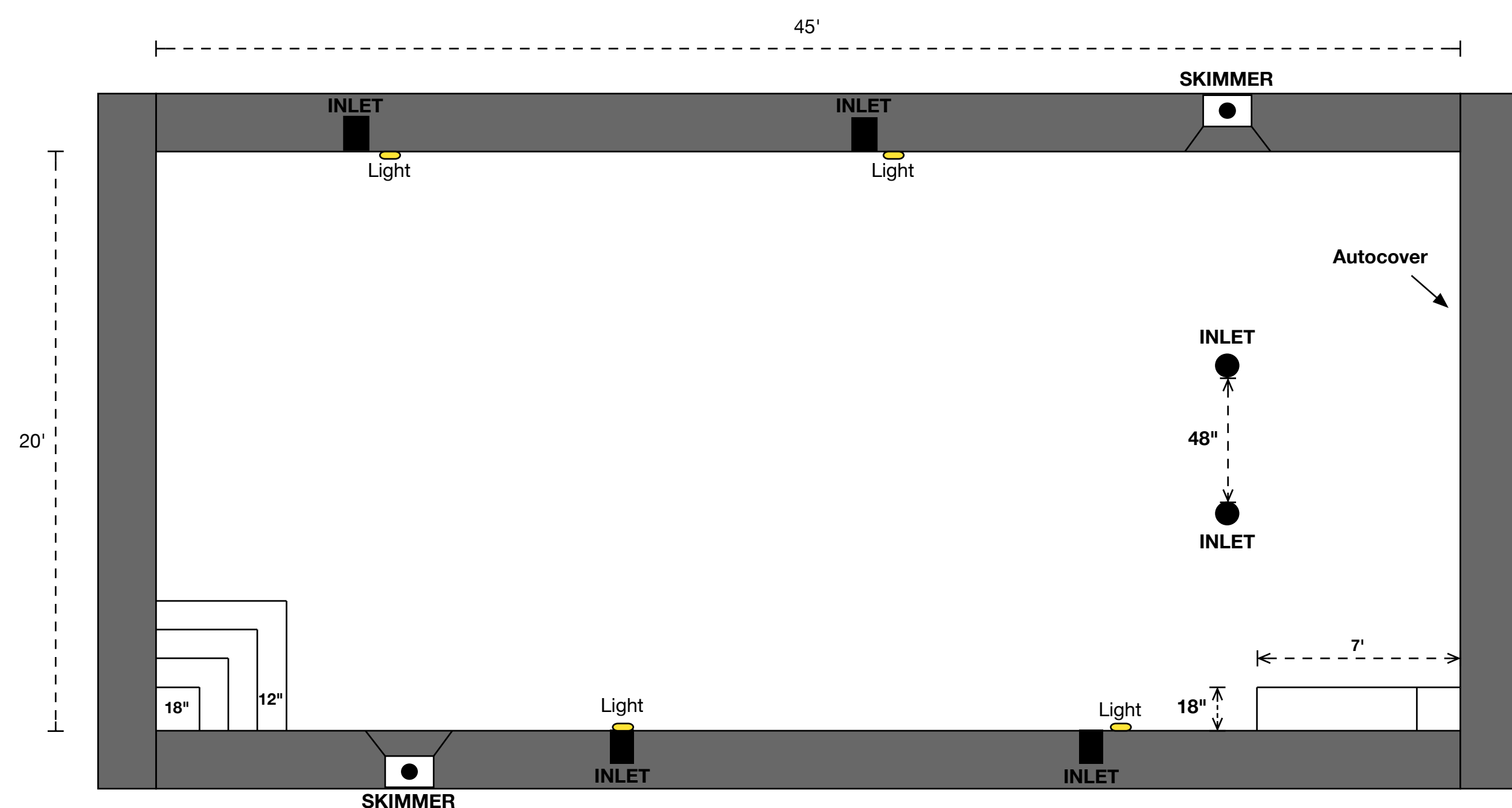
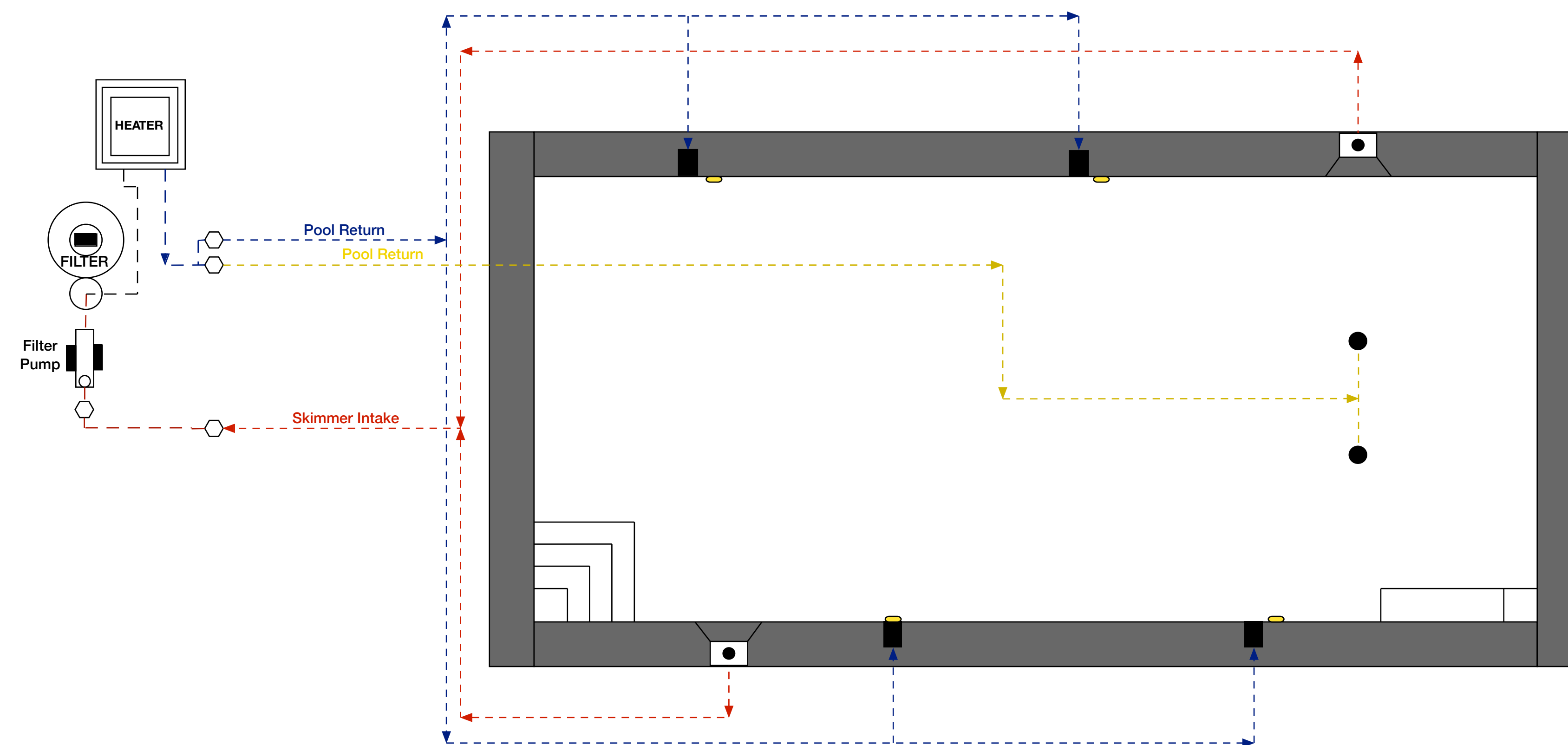


1 Pool Layout



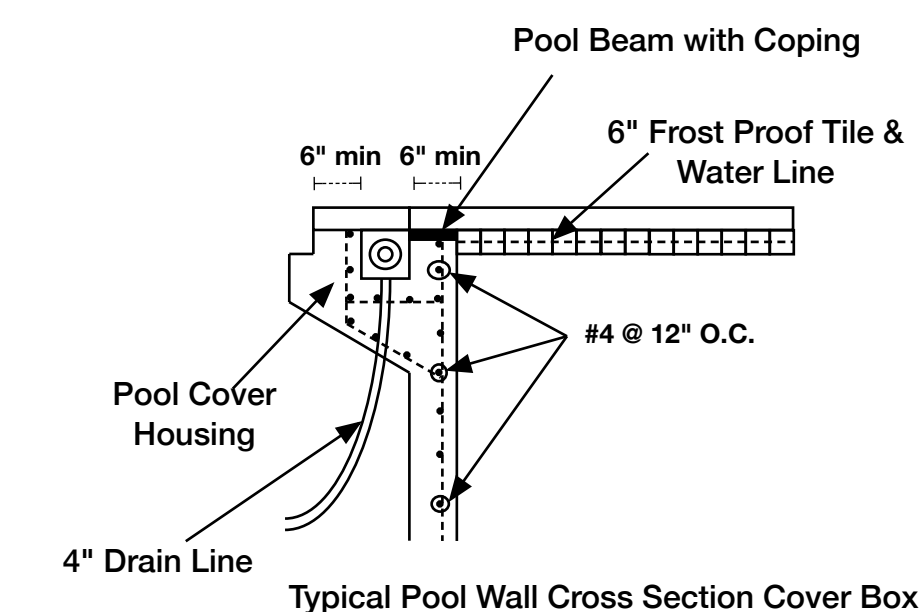
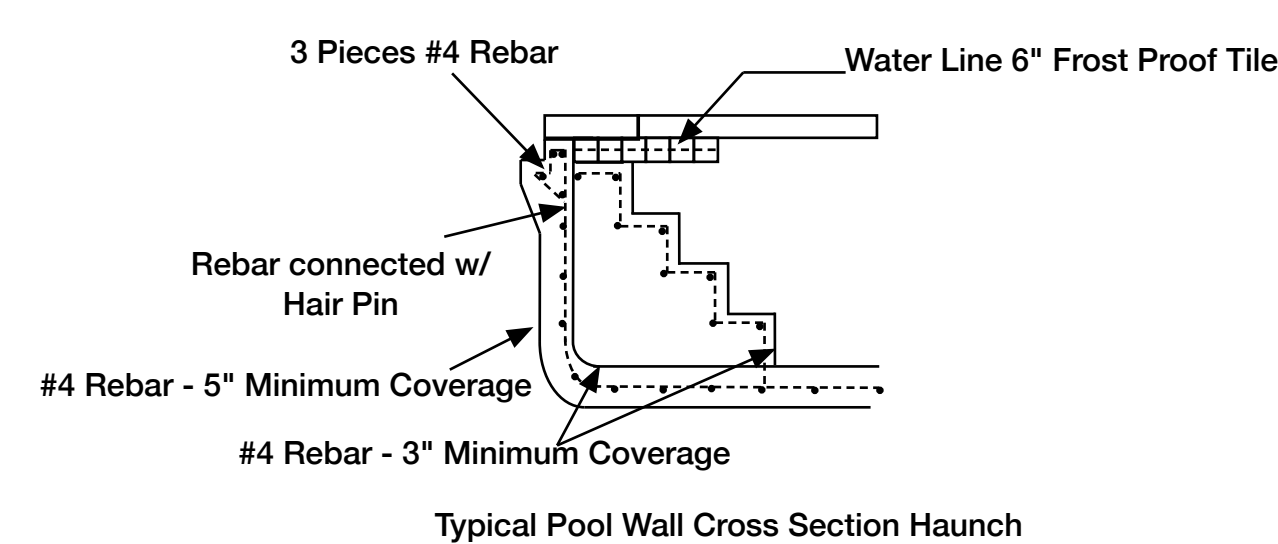
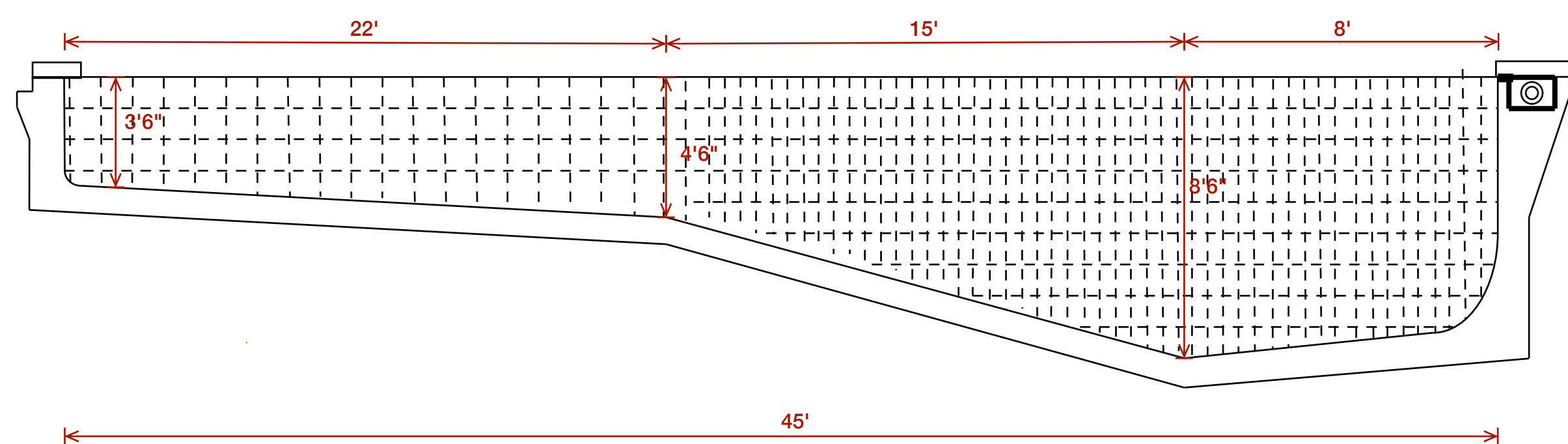
2 Pool Plumbing Detail



3 Structural Detail

Note: From depths 3'6" to 5'0" Rebar to be 12" on center vertically and horizontally
From depths 5'0" to 8'6" Rebar to be 6" on center vertically

Note: Drawing below is not to scale



- Notes:
1. Pool Construction Meets APSP 5-11 American National Standard for Residential Inground Swimming Pools Standards
 2. APSP7-13 – American National Standard for Suction Entrapment Avoidance in Swimming Pools & Spas
 3. Auto Cover Meets ASTM F 1346-91 (2010) Standard Performance Specification for Automatic Safety Cover
 4. Compliant with Section R326 of the 2020 Residential Code of New York State pertaining to Swimming Pools
 5. Compliant with R403.10 of the 2020 Energy Conservation Construction Code of New York State

Equipment:
Pool filter pump: Pentair Intelliflo Pump SVRS
Pool filter: Pentair Clean and Clear Cartridge Unit
Heater: Pentair 400K BTU Gas Heater

<p>PO Box 1148, Southport CT Tel: 203-253-8853 email: info@oceanviewpoolandpatio.com</p>	
Prepared for:	Collins Residence
Project Location:	501 North Broadway Upper Nyack, NY
Prepared:	March 21, 2022
Scale:	1" = 4'
<p>CARL RUSPINI P.E. CONSULTING ENGINEER CT LIC No. 11426 NY LIC No. 056746</p>	