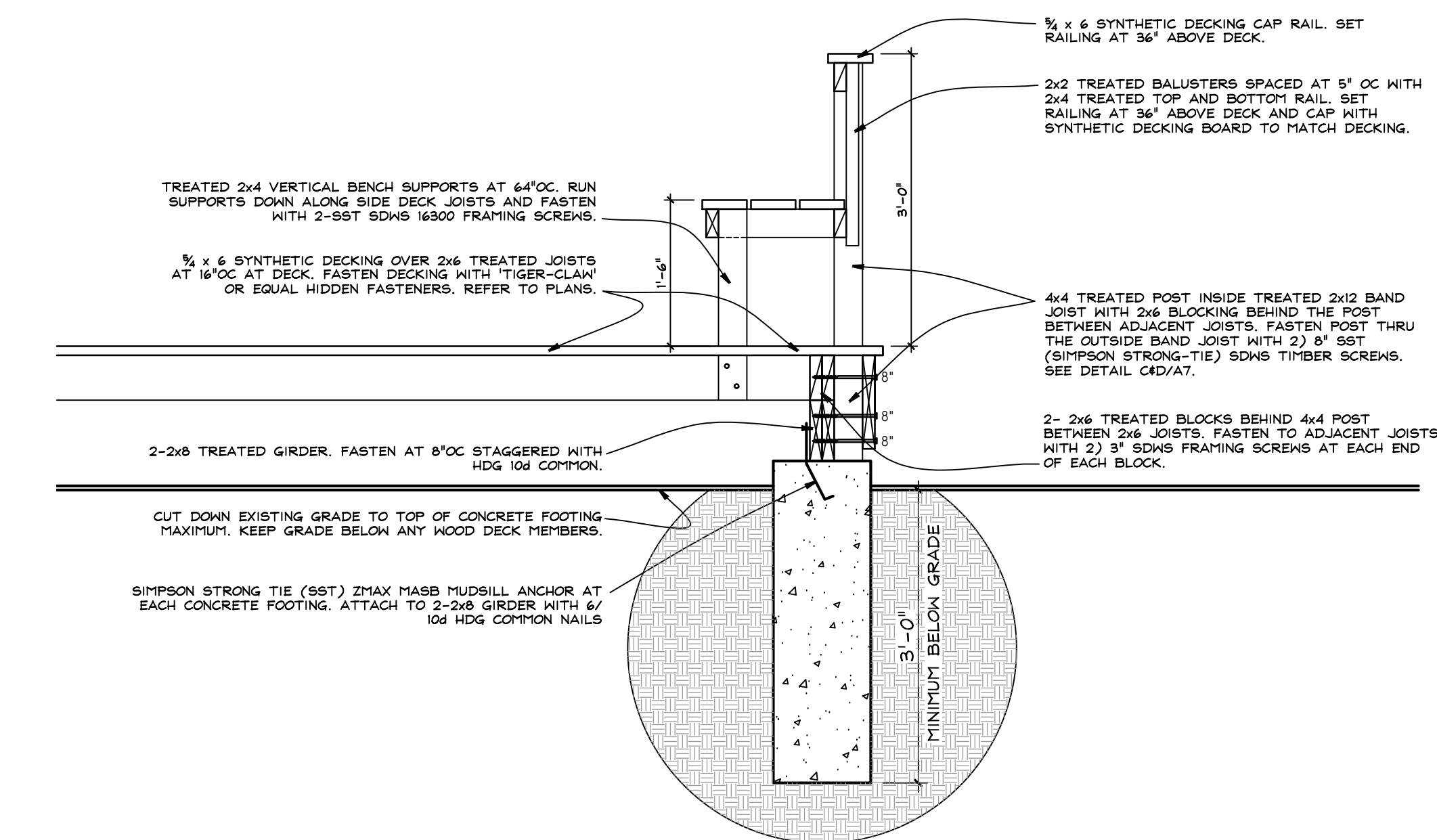
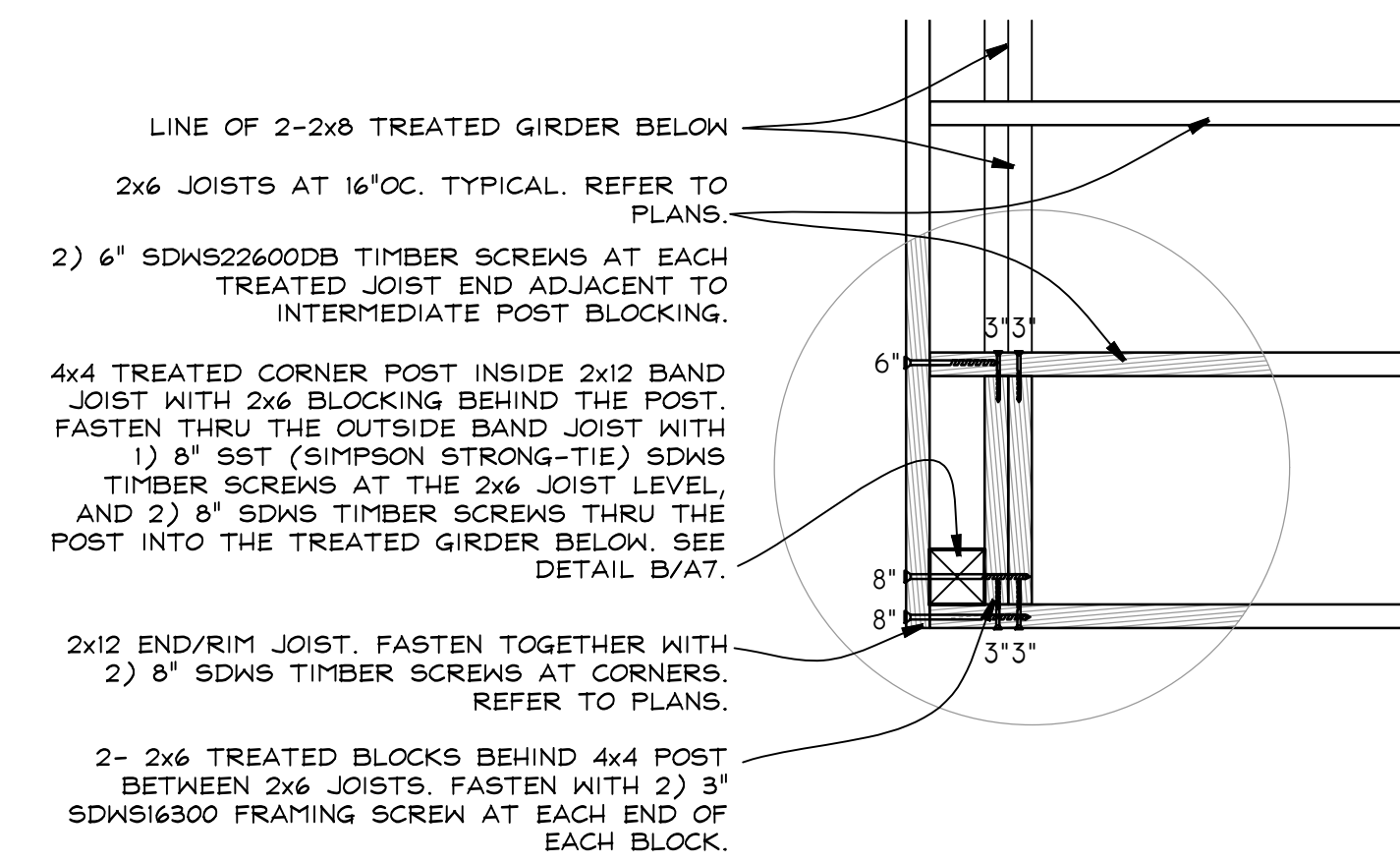


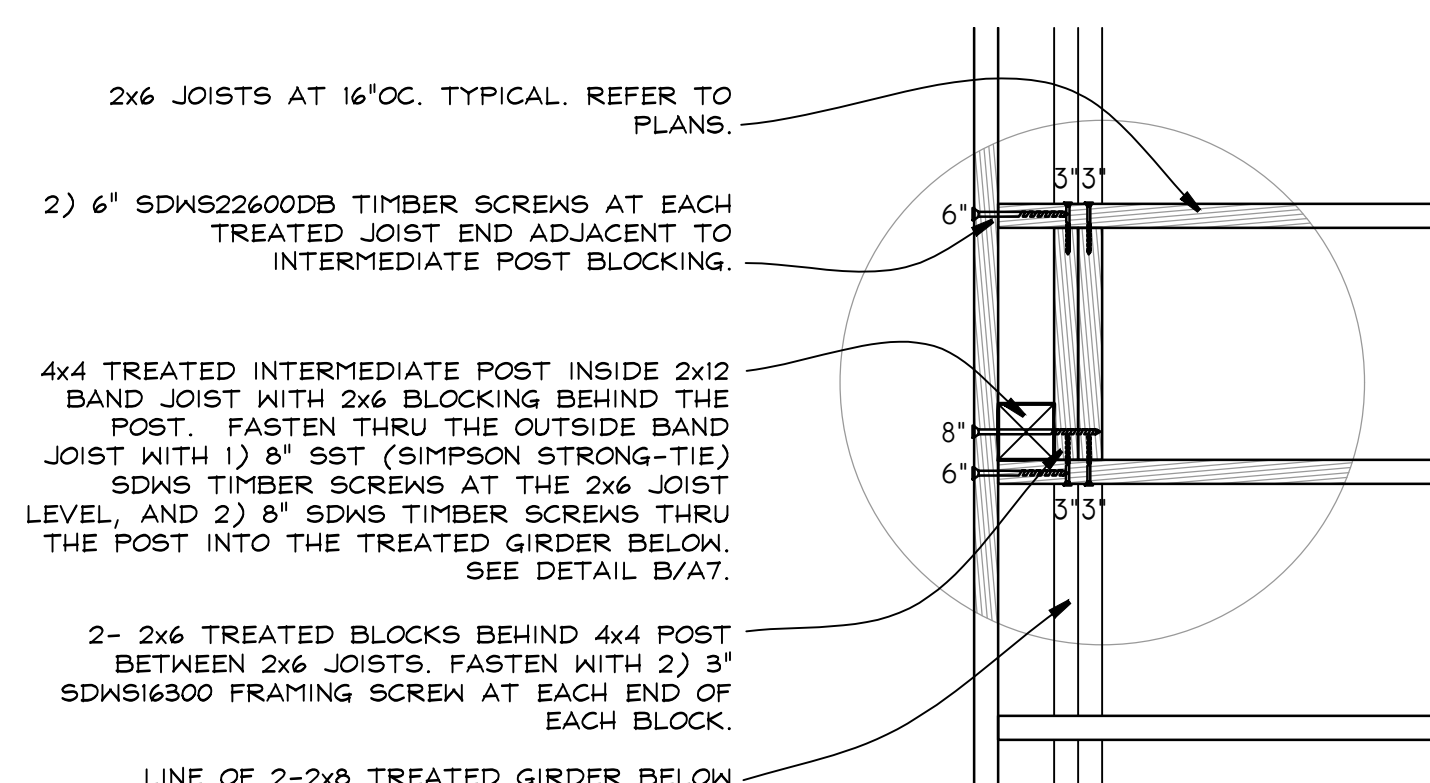
A DECK FRAMING SECTION
A7 3/4" = 1 FOOT



B BENCH FRAMING DETAIL
A7 3/4" = 1 FOOT



C CORNER POST DETAIL
A7 1" = 1 FOOT



D INTERMEDIATE POST DETAIL
A7 1" = 1 FOOT

BOWEN ADDITION
 114 OLD MOUNTAIN RD.
 UPPER NYACK, N.Y. 10960

KIER B. LEVESQUE, R.A.
 ARCHITECT
 49 THIRD AVENUE
 NYACK, NEW YORK 10960
 845-358-2359

DECK DETAILS

SCALE AS SHOWN
 DATE FEBRUARY 17, 2020
 JOB NO. 1909
 REVISIONS: SHEET NO.

A-7

NY LICENSE # 15998